

# 10/100BASE-TX VOIP/POE TRANSFORMER

**Features :**

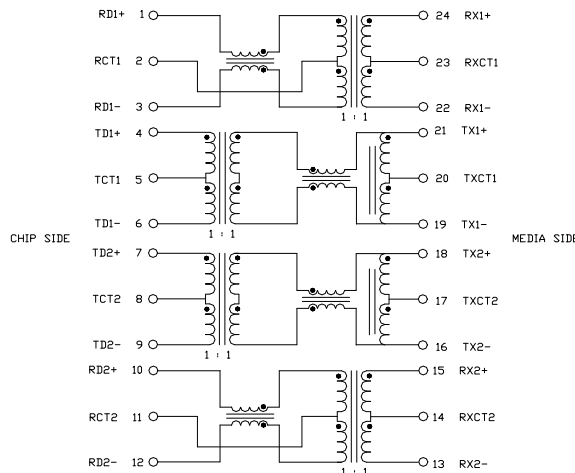
- 1) Complies with IEEE 802.3af and ANSI X3.263 standards.
- 2) Including 350µH open circuit inductance with 8mA DC bias .
- 3) Suitable for IP phone or switch applications.
- 4) Support VoIP and Power over Ethernet applications.
- 5) Low profile surface mount packaging designed for Hi-Temp reflow process (250°C peak).

## FW-3005BSD

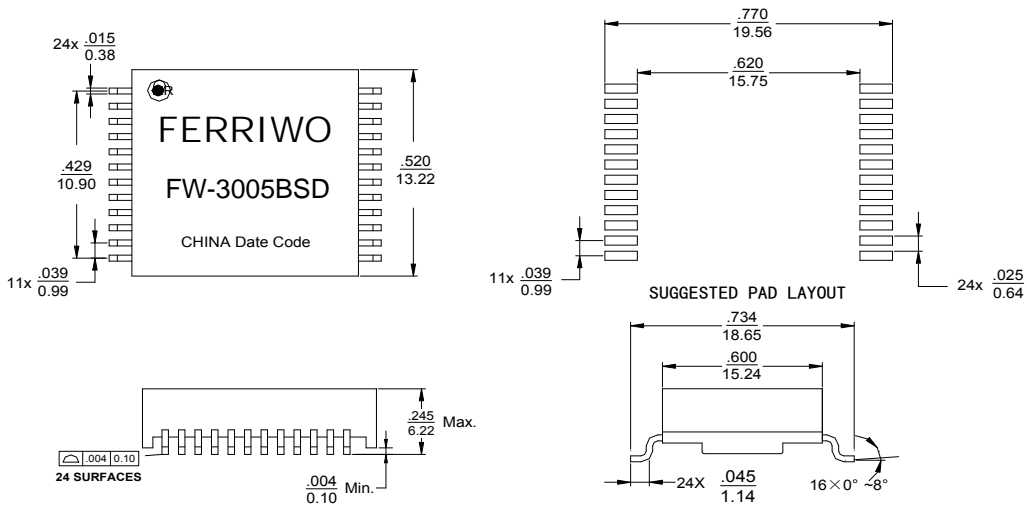
**A ) Electrical Specifications @ 25°C --- Operating temperature 0°C To 70°C .**

Turns Ratio (±2%)	Insertion Loss (dB Max)	Return Loss (dB Min. @ 100 ohm)				Differential to Common Mode Rejection (dB Min.)			Crosstalk (dB Min.)			Hi-Pot (Vrms 1Min.)
		1~100MHz	1-30MHz	40MHz	50MHz	60-80MHz	30MHz	60MHz	100MHz	30MHz	60MHz	
1 : 1	-1.2	-16	-14	-13	-12	-50	-43	-35	-43	-37	-33	1500V

**B ) Schematics**



**C ) Mechanical Dimensions ( Unit: inches / mm )**



Unless otherwise specified, all tolerance are +/- .010/0.25